



# CHD-MM-30-UG

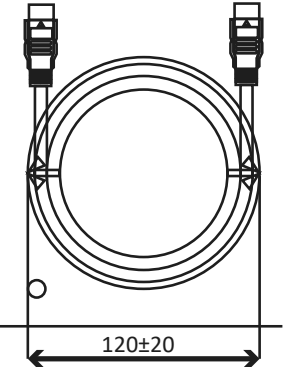
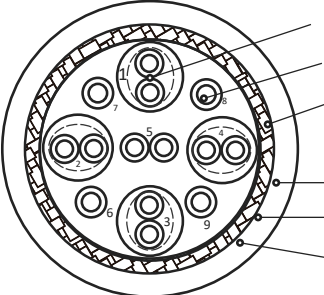
HDMI 1.3 HIGH  
SPEED 1080p FULL HD

CHD-MM-30-UG



## General Description

[WWW.T2TEK.NET](http://WWW.T2TEK.NET)  
info@t2tek.net p.(305)602.2237

Parts	Description
Dust Cap	Transparency
Binding Wire	Black Color L=120±20mm 
HDMI Model-Inside	Meet REACH
Parts for Welding	HDMI 20P/AM, 30AWG, Black
HDMI Model-Outside	PVC, Black
Cable	HDMI #1.3 Conductor 30AWG(1/0.254±0.008CCS*1P+D+A)*4C 30AWG(1/0.254±0.008CCS)*6C Drain 30AWG/1/0.254±0.008CCS Braiding 96/0.12mm/AL-MG Al Mylar Jacket PVC-Black OD 5.5±0.2mm 
Parts for Welding	HDMI 20P/AM, PIN Gold Plated 1U, Nickel Plated Iron Shell

@t2tek