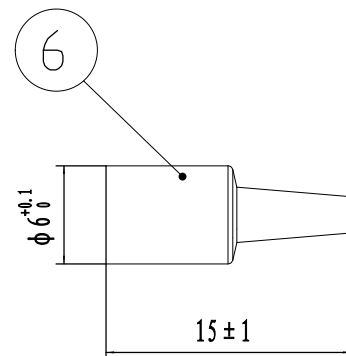
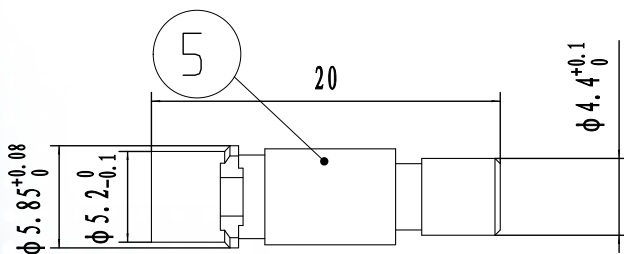
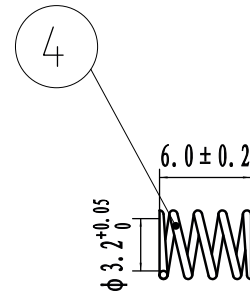
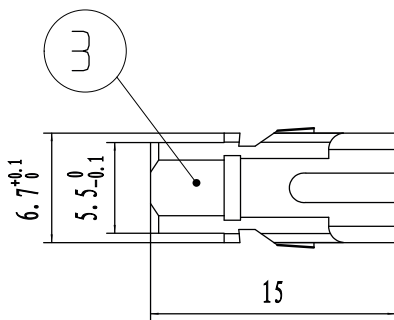
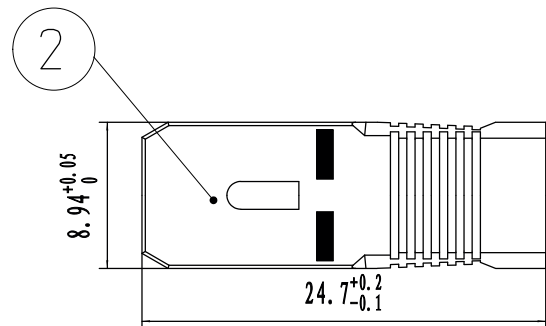
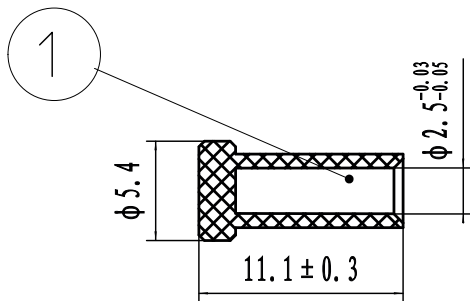


# FA-SC-XPC





# FA-SC-XPC

@	Boot	1	TPV
⑤	Stopper	1	Zinc alloy
④	Spring	1	SUS304
③	Inner Frame	1	PBT
②	Outer Housing	1	PBT
①	Dust Cap	1	LDPE
NO	Part Name	QT' Y	Materials

## TECHNICAL REQUIREMENTS

1. Sizes conforming to the drawings;
2. Standard: YD/T 1272.3-2005, SC type connector part, GR-326-CORE;
3. Good compatibility
4. Meets high-low temperature, RoHS and smoke requirements
5. Unspecified tolerances are +0.1.

